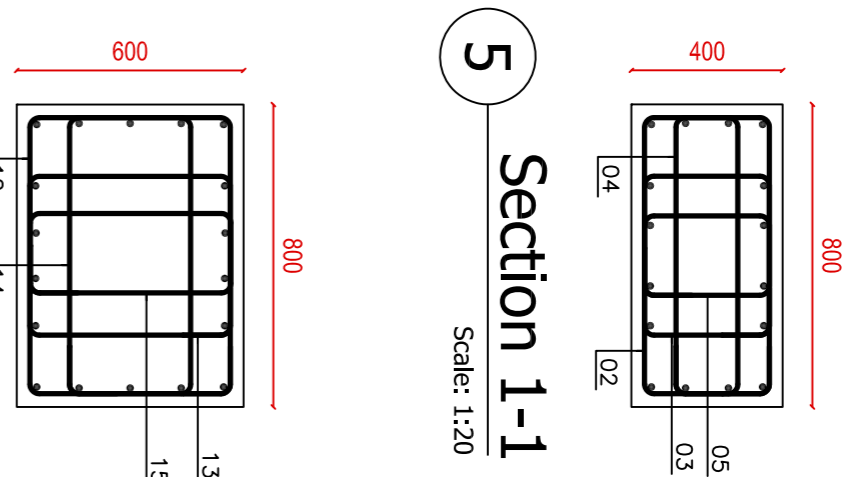
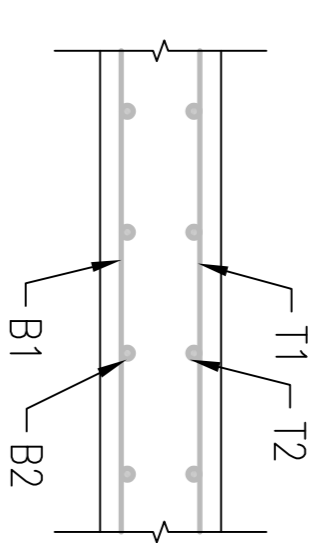


Total reinforcement weight on this drawing 63.351 tonnes

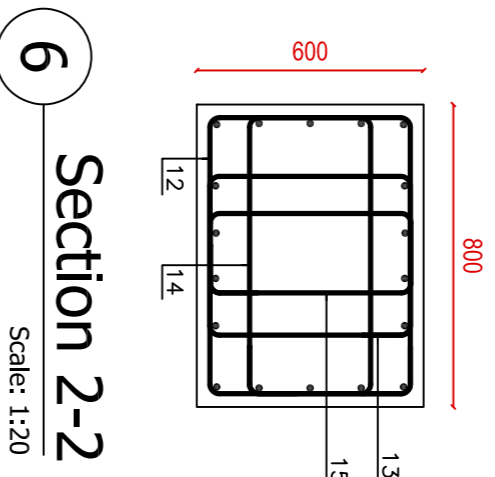
© J&A Theophilou Consulting Engineers (UK) Ltd  
The contents of this drawing may not be reproduced in whole or in part without the prior written permission of J&A Theophilou Consulting Engineers (UK) Ltd.

Notes

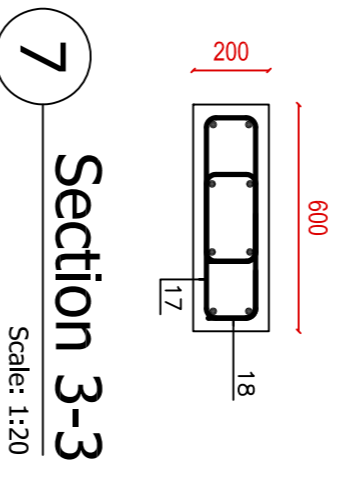
- This drawing is to be read in conjunction with all relevant Architects, Engineers and Sub-Contractor drawings, and technical specifications.
- Concrete shall be grade C32/40.
- Maximum aggregate size shall be 20mm.
- Concrete cover shall be 30mm throughout.
- Reinforcement steel shall conform to the specifications of BS 4449.
- Reinforcement listed on bar bending schedule 1200-41.
- Abbreviations:  
Alt. Alternatively placed  
B1 Bottom outer layer  
B2 Bottom inner layer  
T1 Top outer layer  
T2 Top inner layer  
Sig. Staggered  
UB U-Bars



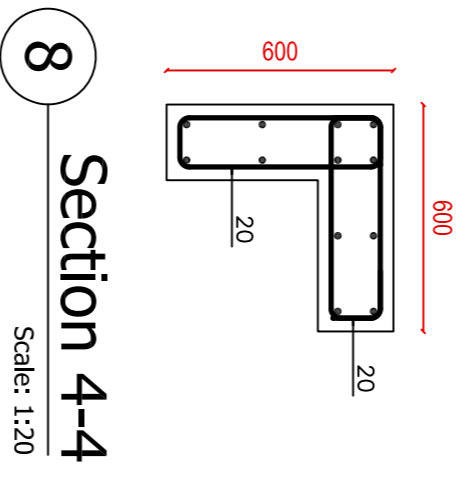
5 Section 1-1  
Scale: 1:20



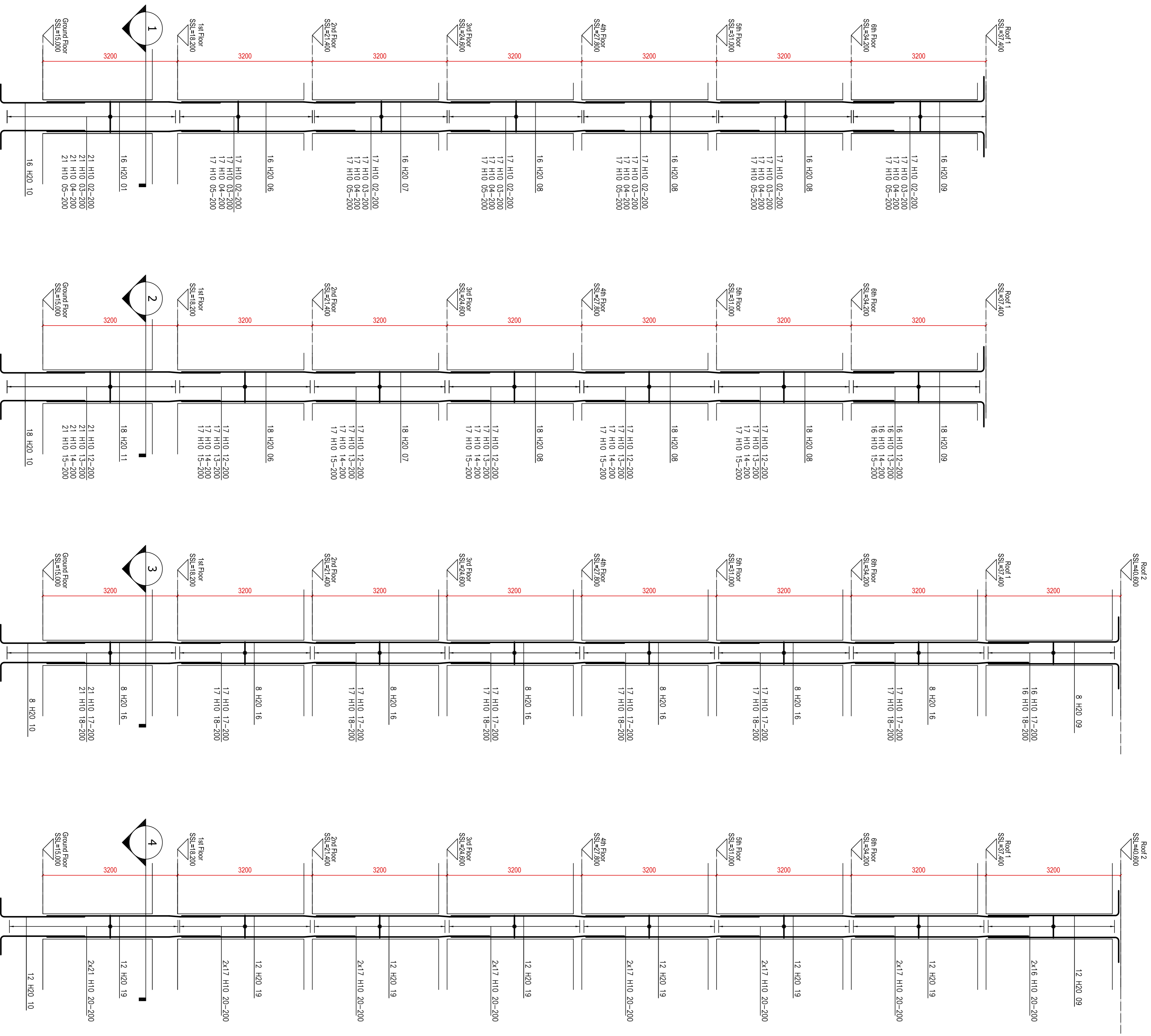
6 Section 2-2  
Scale: 1:20



7 Section 3-3  
Scale: 1:20



8 Section 4-4  
Scale: 1:20



1 Column Type CA  
(18 No. Thus) - Scale: 1:50

2 Column Type CB  
(10 No. Thus) - Scale: 1:50

3 Column Type CC  
(2 No. Thus) - Scale: 1:50

4 Column Type CD  
(7 No. Thus) - Scale: 1:50

Status	Date	Revision
Preliminary	27/03/2018	P1

Paper Size	Scale	Drawn by	Checked by
A1	1:50/1:20	AT	JT

Project Name  
**Six Story Building**

Drawing Title  
**RC Details to Columns**

J&T Drawing Number  
**1200-41**

Client Drawing Number

Client  
**London Constructions**

46-48 East Smithfield, London, E1W 1AW  
E: ajseng@theophilou.com, W: www.theophilou.com



Revision	Date	Description
P1	27/03/2018	Preliminary
Drawing History		
Design Organisation		